




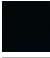

## EDITION PRO Tumbler holder wall model - Chrome

---

83 400 626



- crystal glass brush holder, matte
- width 60mm
- height 120 mm
- 110mm projection

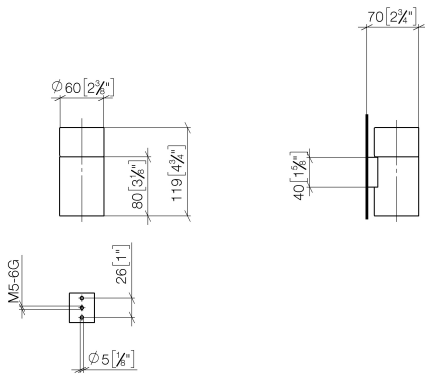
|   |                |               |
|---|----------------|---------------|
|  | Chrome         | 83 400 626-00 |
|  | Matte Black    | 83 400 626-33 |
|  | Brushed Chrome | 83 400 626-93 |



# EDITION PRO Tumbler holder wall model - Chrome

83 400 626

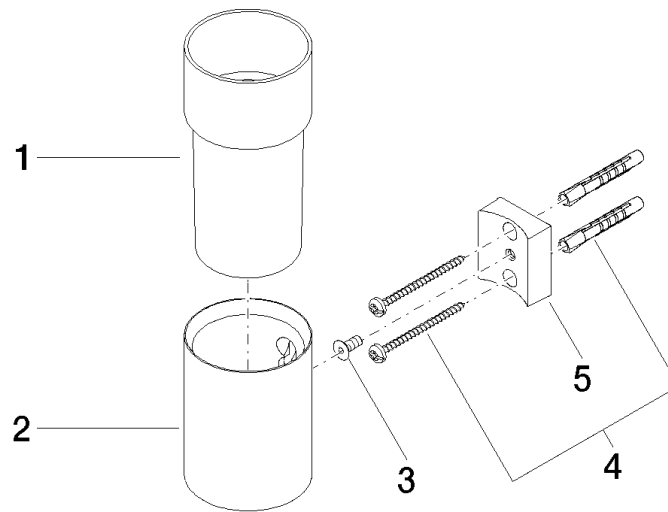
mm [inches]



**EDITION PRO Tumbler holder wall model - Chrome**

83 400 626

Parts for other finishes can be found here: [Matte Black](#)



**Spare parts list**

| No. | Item Number        | Name              | Quantity used | Delivery time |
|-----|--------------------|-------------------|---------------|---------------|
| 1   | 08 90 00 008 82    | Crystal tumbler - | 1             | 2             |
| 2   | 08 17 97 569-00    | holder            | 1             | 10            |
| 3   | 09 30 30 117 90    | screw             | 1             | 2             |
| 4   | 05 30 31 025 00 90 | fixing set        | 1             | 2             |
| 5   | 08 10 10 530-00    | holder            | 1             | 10            |